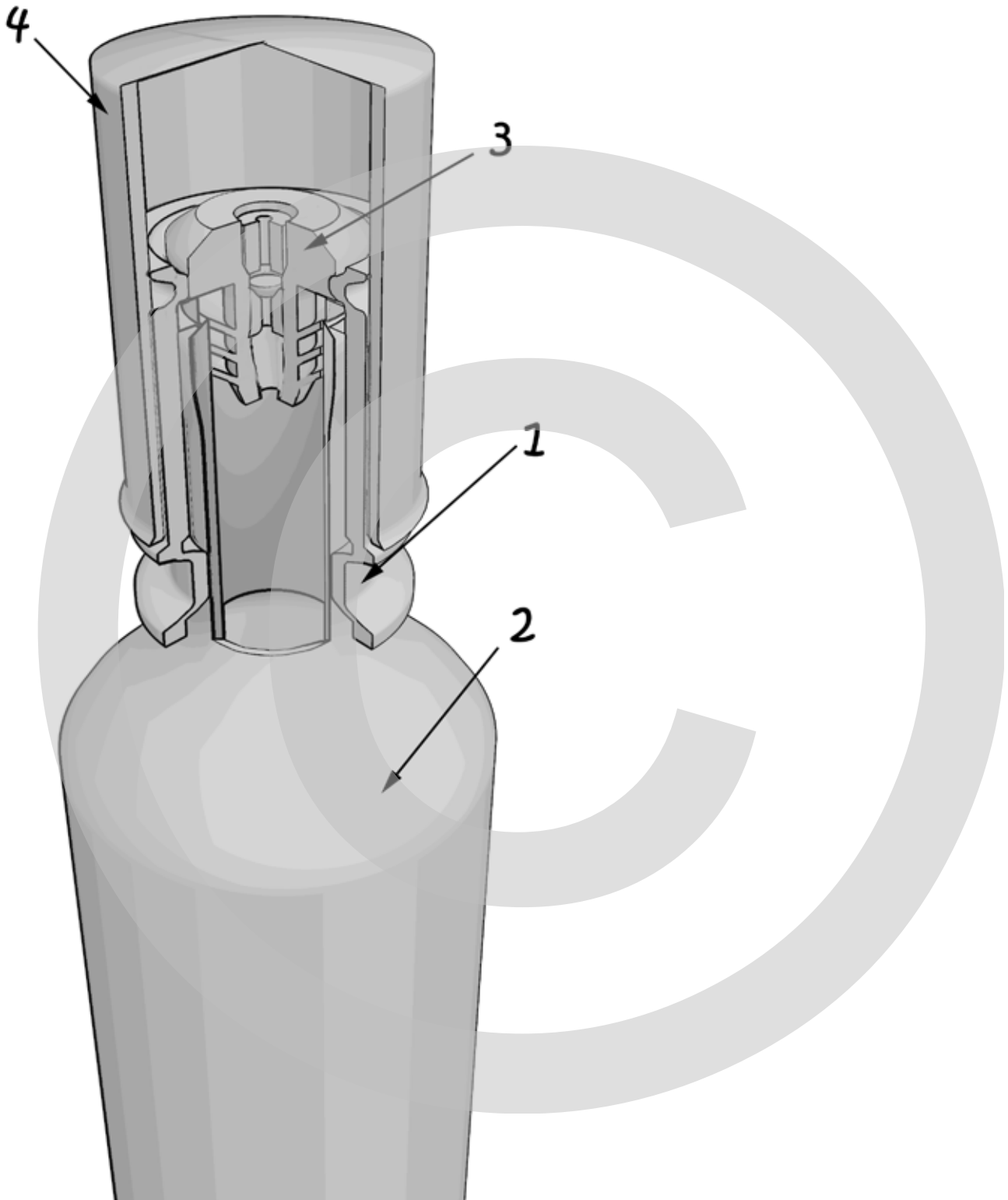
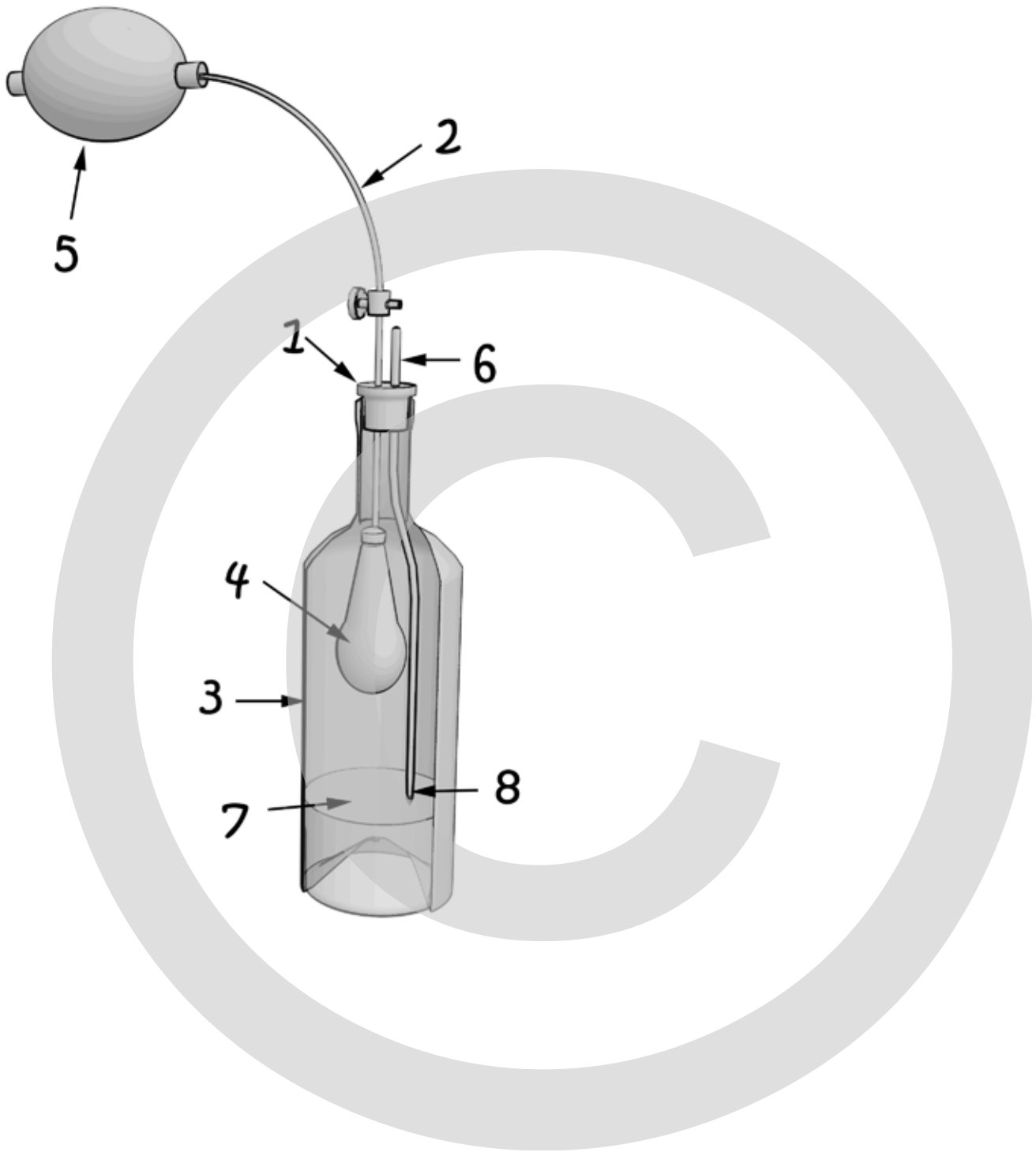


Patent Brucart



Patent Marcus



Patent Musaragno

